

**BALDOR® • RELIANCE** 

**Product Information Packet**

**CSSWDM3542-5**

**.75HP,1740RPM,3PH,60HZ,56C,3518M,TENV,F1**

Part Detail							
Revision:	N	Status:	PRD/A	Change #:		Proprietary:	No
Type:	AC	Elec. Spec:	35WGM809	CD Diagram:	CD0006	Mfg Plant:	
Mech. Spec:	35V814	Layout:	35LYV814	Poles:	04	Created Date:	06-22-2010
Base:	RG	Eff. Date:	08-12-2019	Leads:	3#18		

Specs			
Catalog Number:	CSSWDM3542-5	KVA Code:	M
Enclosure:	TENV	Lifting Lugs:	No Lifting Lugs
Frame:	56C	Locked Bearing Indicator:	Locked Bearing
Frame Material:	Stainless Steel	Motor Finish:	UNPAINTED
Output @ Frequency:	.750 HP @ 60 HZ	Motor Lead Quantity/Wire Size:	3 @ 18 AWG
Synchronous Speed @ Frequency:	1800 RPM @ 60 HZ	Motor Lead Exit:	Ko Box
Voltage @ Frequency:	575.0 V @ 60 HZ	Motor Lead Termination:	Flying Leads
XP Class and Group:	None	Motor Type:	3518M
XP Division:	Not Applicable	Mounting Arrangement:	F1
Agency Approvals:	UR	Power Factor:	78
	CSA	Product Family:	Wash Down All Stainless Steel
Auxillary Box:	No Auxillary Box	Pulley End Bearing Type:	Sealed Bearing
Auxillary Box Lead Termination:	None	Pulley Face Code:	C-Face
Base Indicator:	Rigid	Pulley Shaft Indicator:	Standard
Bearing Grease Type:	Polyrex EM (-20F +300F)	Rodent Screen:	None
Blower:	None	RoHS Status:	ROHS COMPLIANT
Current @ Voltage:	.900 A @ 575.0 V	Shaft Extension Location:	Pulley End
Design Code:	B	Shaft Ground Indicator:	No Shaft Grounding

<b>Drip Cover:</b>	No Drip Cover	<b>Shaft Rotation:</b>	Reversible
<b>Duty Rating:</b>	CONT	<b>Shaft Slinger Indicator:</b>	No Slinger
<b>Electrically Isolated Bearing:</b>	Not Electrically Isolated	<b>Speed Code:</b>	Single Speed
<b>Feedback Device:</b>	NO FEEDBACK	<b>Motor Standards:</b>	NEMA
<b>Front Face Code:</b>	Standard	<b>Starting Method:</b>	Direct on line
<b>Front Shaft Indicator:</b>	None	<b>Thermal Device - Bearing:</b>	None
<b>Heater Indicator:</b>	No Heater	<b>Thermal Device - Winding:</b>	None
<b>Insulation Class:</b>	F	<b>Vibration Sensor Indicator:</b>	No Vibration Sensor
<b>Inverter Code:</b>	Not Inverter	<b>Winding Thermal 1:</b>	None
		<b>Winding Thermal 2:</b>	None

<b>Nameplate NP1951A05</b>										
<b>CAT.NO.</b>	CSSWDM3542-5									
<b>SPEC.</b>	35V814M809G1									
<b>HP</b>	.75									
<b>VOLTS</b>	575									
<b>AMP</b>	.9									
<b>RPM</b>	1740									
<b>FRAME</b>	56C				<b>HZ</b>	60			<b>PH</b>	3
<b>SER.F.</b>	1.25		<b>CODE</b>	M	<b>DES</b>	B		<b>CLASS</b>	F	
<b>NEMA-NOM-EFF</b>	82.5			<b>PF</b>	78					
<b>RATING</b>	40C AMB-CONT									
<b>CC</b>									<b>USABLE AT 208V</b>	
<b>DE</b>	6205				<b>ODE</b>	6203				
<b>ENCL</b>	TENV		<b>SN</b>							
	SFA 1									

Parts List		
Part Number	Description	Quantity
SA199209	SA 35V814M809G1	1.000 EA
RA186547	RA 35V814M809G1	1.000 EA
NS2512A01	INSULATOR, CONDUIT BOX X	1.000 EA
35CB5001A08	CONDUIT BOX KIT, S/P 9-2 (ALL STAINLESS)	1.000 EA
HA5027A02	HA4054 T-DRAIN X2 BAGGED WITH LABEL	1.000 EA
11XW1032G06	10-32 X .38, TAPTITE II, HEX WSHR SLTD U	1.000 EA
HW3001B01	BRASS CUP WASHER, FOR #10 SCREW	1.000 EA
35FE1913A01	FR ENDPLATE ASSY	1.000 EA
HW5100A03	WAVY WASHER (W1543-017)	1.000 EA
35PE1914A02	PU EP ASSY. FOR LOCKED BRG	1.000 EA
HW4606A02	JM CLIPPER/SEAL (LWE-0938-1624-AL23)	1.000 EA
12XN1032S22	10-32 X 1 3/8 SLOT HEX, STAINLESS STEEL	2.000 EA
HA1049A01	DUBO LOK WASHER SIZE 10 (NYLON LOCK SEAL	2.000 EA
HA1049A01	DUBO LOK WASHER SIZE 10 (NYLON LOCK SEAL	4.000 EA
HW2502D13	SS KEY, 3/16 SQ X 1.375	1.000 EA
HA7000A04	KEY RETAINER 0.625 DIA SHAFTS	1.000 EA
MJ5001A02	732 CL SEALANT 3 OZ DIXIE BEARING 289100	0.001 EA
MJ1000A02	GREASE, MOBIL POLYREX EM - 124047	0.050 LB
HA3100S45	THRU BOLT HEX-HEAD 7.95 10-32	4.000 EA
35PA1066	PKG GRP, PRINT PK1008A06	1.000 EA
MN416A01	TAG-INSTAL-MAINT no wire (1200/bx) 3/19	1.000 EA

**AC Induction Motor Performance Data**

Record # 31559 - Typical performance - not guaranteed values

<b>Winding:</b> 35WGM809-R001	<b>Type:</b> 3518M	<b>Enclosure:</b> TENV
-------------------------------	--------------------	------------------------

Nameplate Data				575 V, 60 Hz: Single Voltage Motor	
Rated Output (HP)	.75			Full Load Torque	2.27 LB-FT
Volts	575			Start Configuration	direct on line
Full Load Amps	.9			Breakdown Torque	10.4 LB-FT
R.P.M.	1740			Pull-up Torque	6.69 LB-FT
Hz	60	Phase	3	Locked-rotor Torque	7.49 LB-FT
NEMA Design Code	B	KVA Code	M	Starting Current	7.89 A
Service Factor (S.F.)	1.25			No-load Current	0.527 A
NEMA Nom. Eff.	82.5	Power Factor	78	Line-line Res. @ 25°C	34.4 Ω
Rating - Duty	40C AMB-CONT			Temp. Rise @ Rated Load	79°C
S.F. Amps	1			Temp. Rise @ S.F. Load	99°C
				Locked-rotor Power Factor	64.3
				Rotor inertia	0.106 LB-FT <sup>2</sup>

Load Characteristics 575 V, 60 Hz, 0.75 HP

% of Rated Load	25	50	75	100	125	150	S.F.
Power Factor	34	55	69	77	84	88	84
Efficiency	70.8	80.9	83.3	83.2	81.8	80.4	81.9
Speed	1787	1773	1758	1743	1728	1710	1728
Line amperes	0.559	0.636	0.739	0.876	1.02	1.2	1.01

Performance Graph at 575V, 60Hz, 0.75HP Typical performance - Not guaranteed values

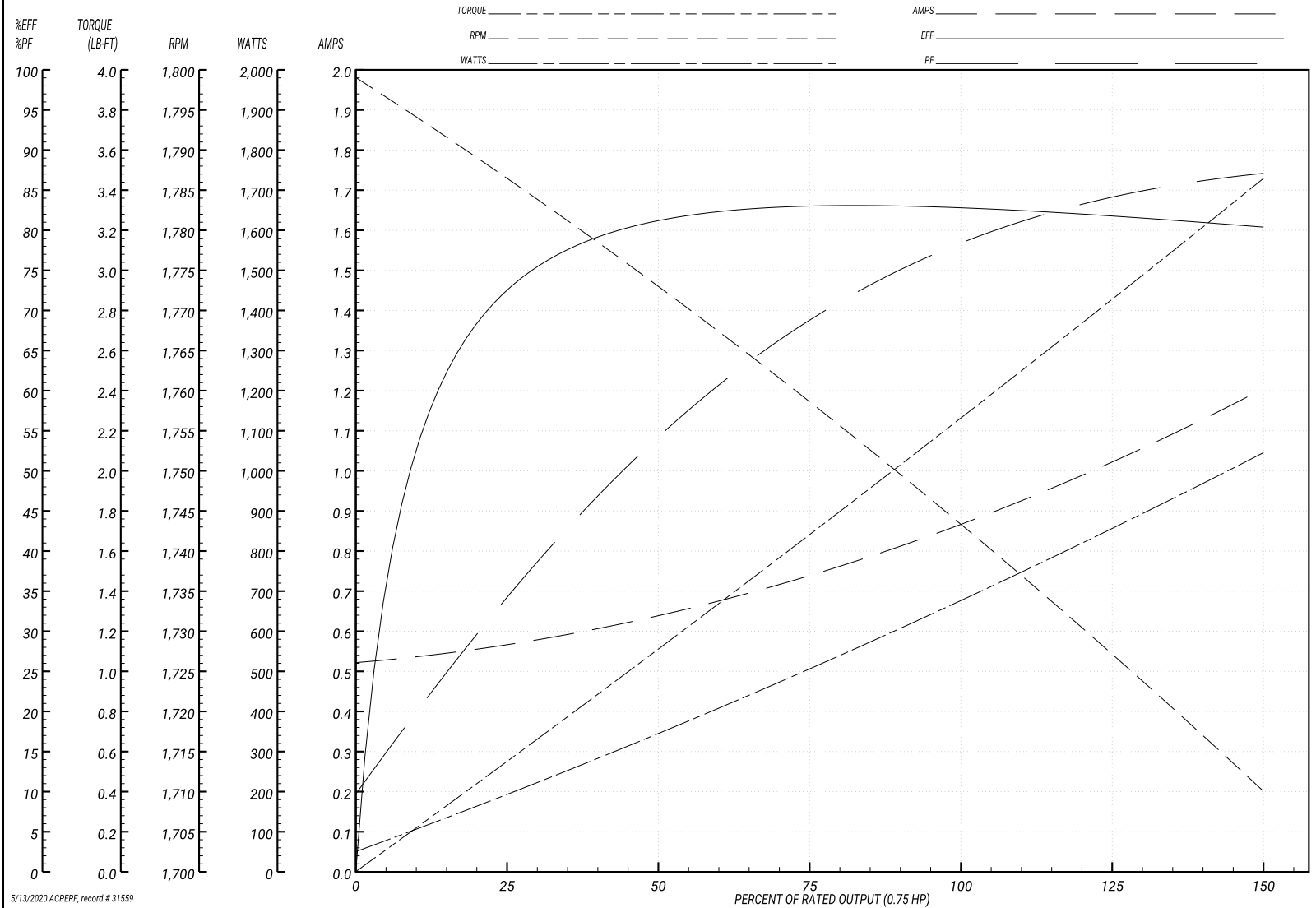
ABB Motors and Mechanical Inc.

WINDING # 35WGM809

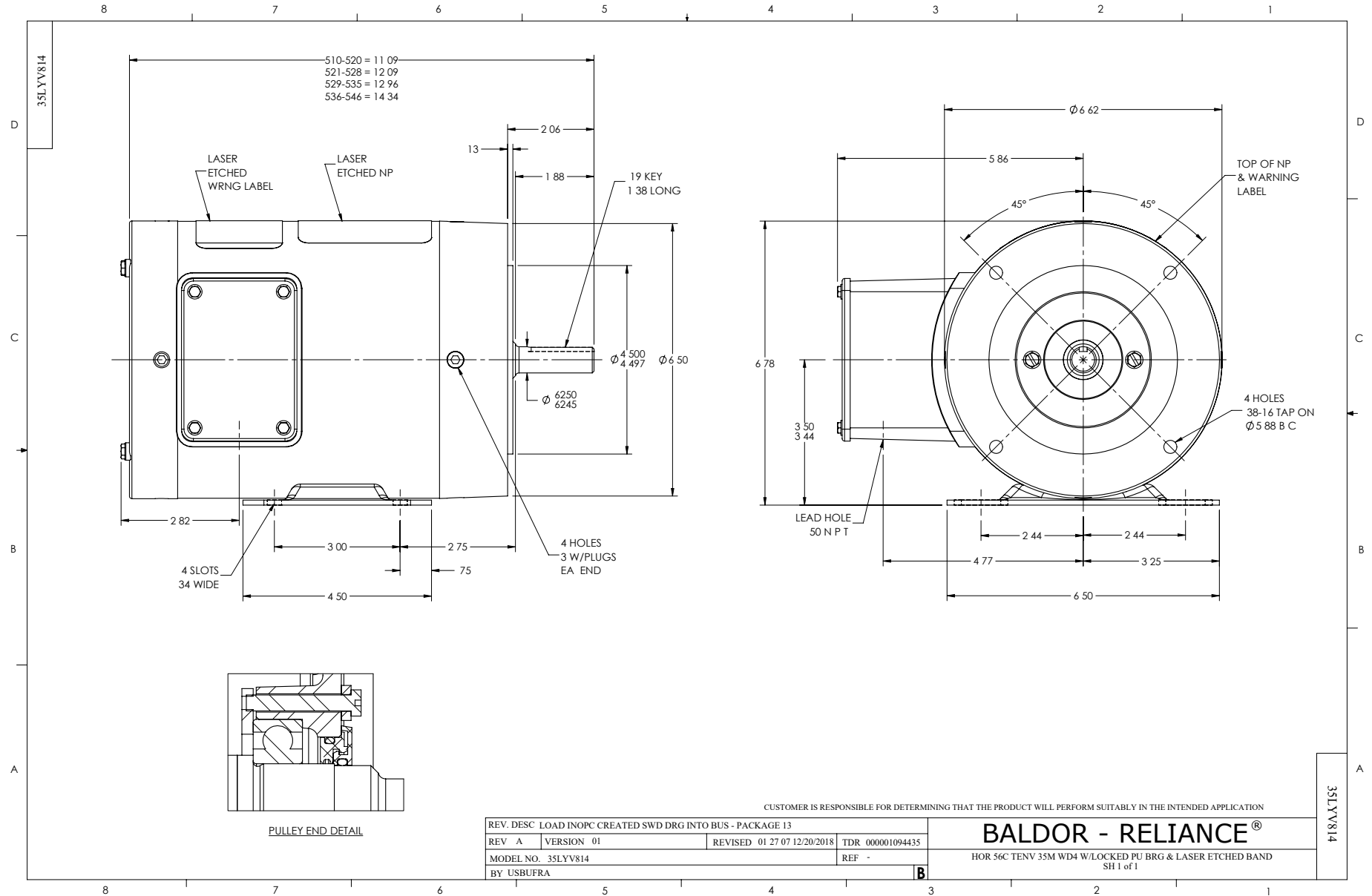
Typical performance - not guaranteed values.

0.75 HP 3 PH 60 HZ 1740 RPM 575 V 3518M

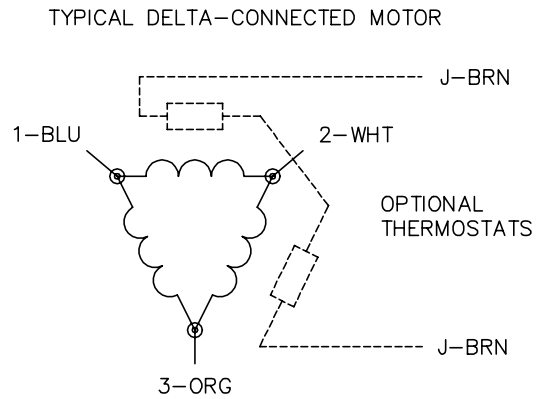
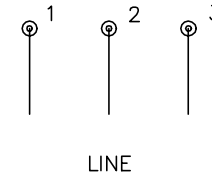
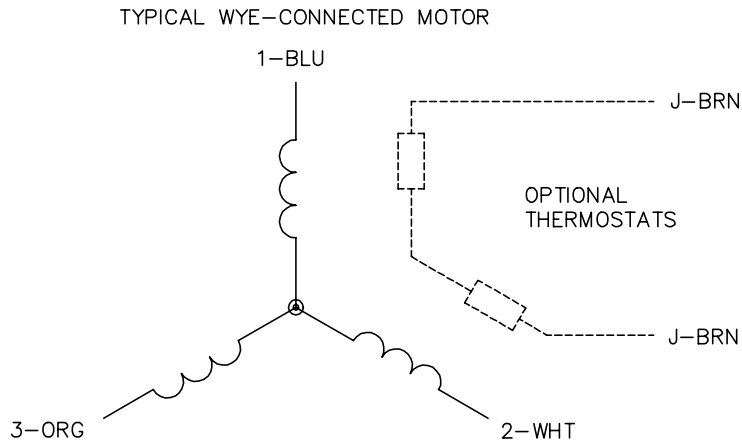
TORQUES(LB-FT): PO=10.4 PU=6.69 LR=7.49 LRA=7.89



5/13/2020 ACPERF, record # 31559



CD0006



NOTES:

1. THREE LEAD MOTOR MAY BE EITHER WYE CONNECTED OR DELTA CONNECTED.
2. INTERCHANGE ANY TWO LINE LEADS TO REVERSE ROTATION.
3. OPTIONAL THERMOSTATS ARE PROVIDED WHEN SPECIFIED.
4. ACTUAL NUMBER OF INTERNAL PARALLEL CIRCUITS MAY VARY.
5. LEAD COLORS ARE OPTIONAL. LEADS MUST BE NUMBERED AS SHOWN.

CD0006

REV. DESC: ADD CLASS CONN00000007		
REV. LTR: E	VERSION: 01	TDR: 000001099922
FILE: \AAA\00005\141	REVISED: 10:24:49 02/19/2019	BY: ENBRIRO
MTL: -	© □	

**BALDOR - RELIANCE®**

3PH, SV, 3 LEADS, WYE OR DELTA CONNECTED

SH 1 of 1